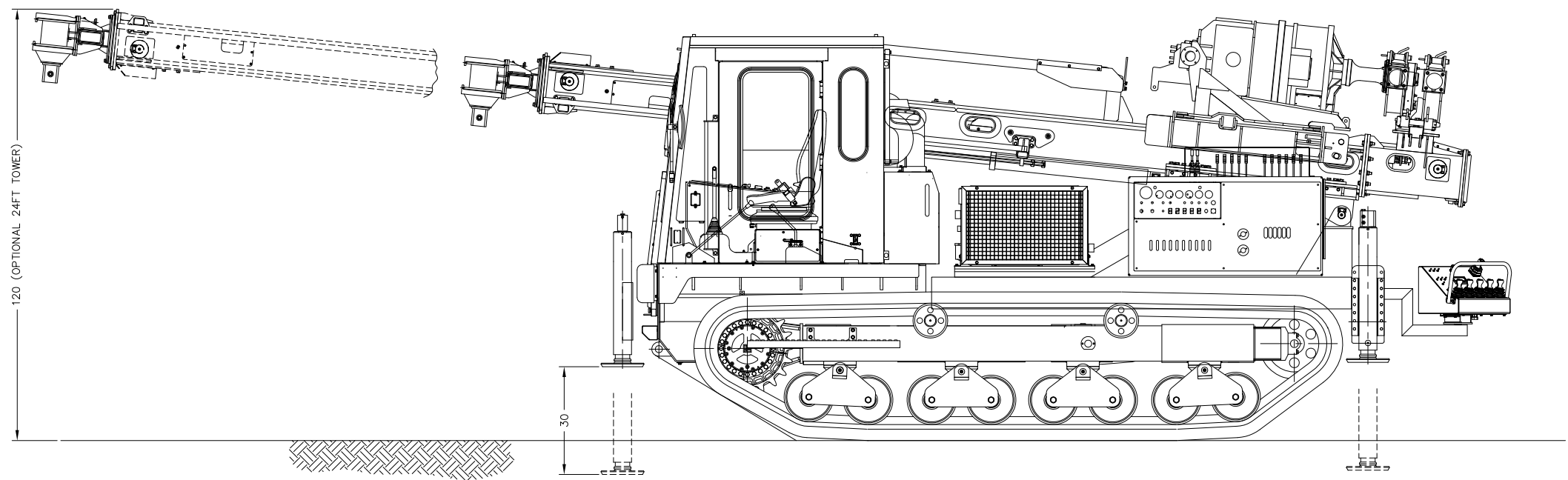
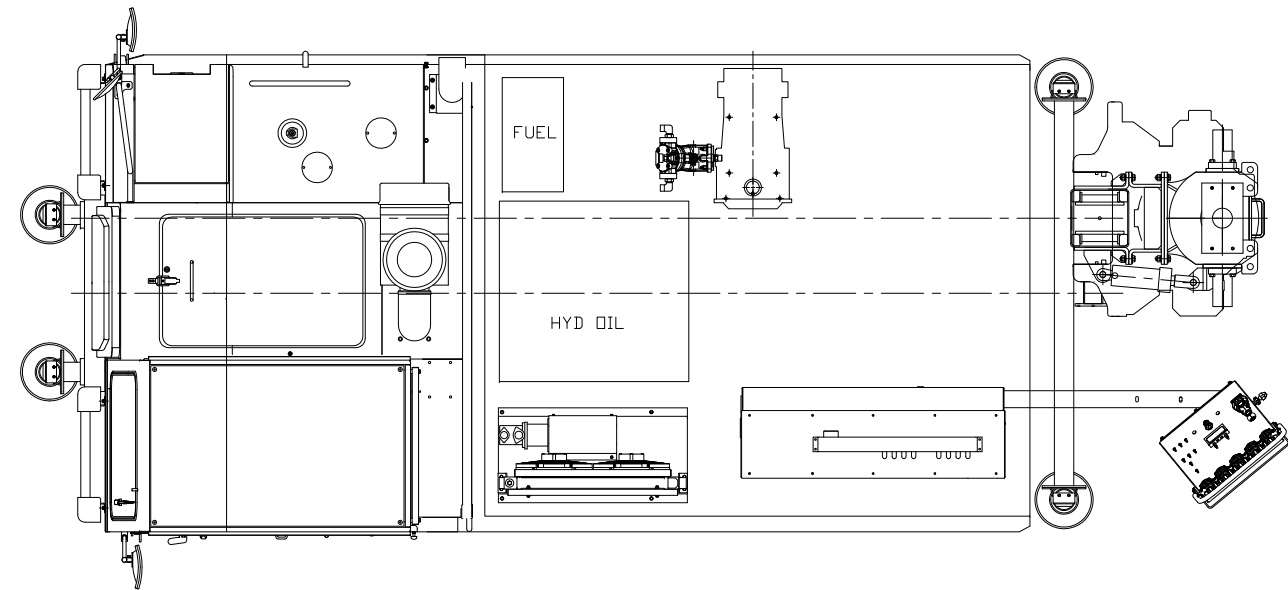


FRONT VIEW



RIGHT HAND SIDE



PLAN VIEW

This drawing and the information contained herein is proprietary to Sonic Drill Corp. and shall not be reproduced, copied or disclosed in whole or part, or used for manufacturing or for any other purpose without the written permission of Sonic Drill Corp.

TOLERANCES (UNLESS OTHERWISE NOTED)	
.XXX	± .002
.XX	± .005
.X	± .010
ANGLES	± .5°
FRACTIONS	± 1/32

WEIGHT
XX LBS

STANDARD
PROJECTION

SONIC DRILL CORPORATION									
SHEET 1 OF 1									
Drawn by	BR	Scale	1=1	Checked by	-	Approved by	-	Rev	Date
Date	FEB 2011	Cad Scale	1=1	Date	-	Date	-	-	-
								Parts List Number	
								-	
IHI IC75 CARRIER SDC 390-14/24								Drawing Number D Q8870	